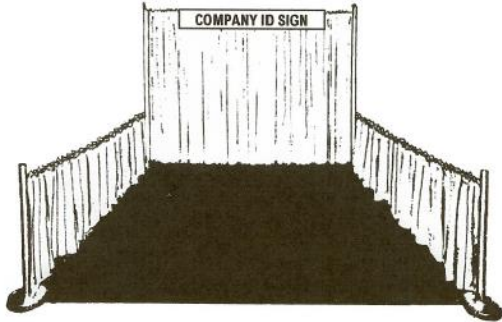


Important Reminders

Furnishings, electricity, carpeting

Furnishings, electricity, internet or carpeting are NOT included with the booth

Standard In-Line Booth Equipment



Back Drape – 8'3" feet from the floor to the top of the drapery. No signage is allowed above 8'3" or the top of drapery.

Side Drapes – 3 feet high from floor to the top of the drapery

Company ID Sign – 7" high by 44" wide (white background with black lettering)

Furnishings, electricity, internet or carpeting are NOT included with the booth

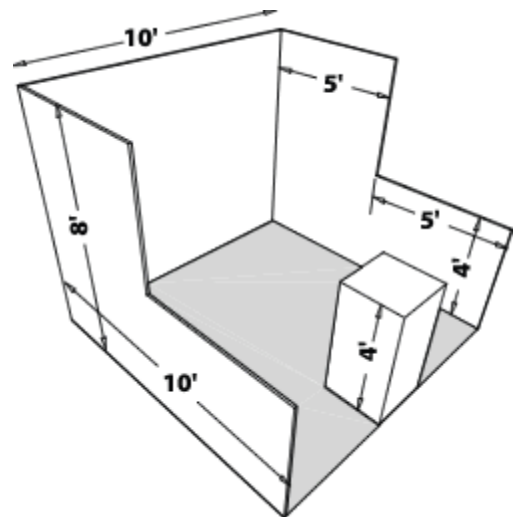
Inline Booth Set-up

A standard inline booth is any booth 10' in depth.

Inline booths may not exceed 8' 3" in height including signage.

The side walls of an inline booth may extend 5' from the back wall at a height of 8'3", then must drop down to a height of 4' as not to block the sight lines of neighboring exhibitors. All solid opaque structures or exhibit materials over 4' in height are to be confined to within 5' of the back wall of the booth to avoid obstructing the view of adjoining exhibitors.

Any part of your display that is facing the neighboring booth must be finished.



Soliciting & Canvassing *(see Rules & Regulations for more information)*

Printed advertising, souvenirs, etc. may be distributed by exhibitors from their **booth space only**. Distribution of adhesive-backed promotional items and stickers is prohibited. Sticker removal will be at Exhibitor's expense.

Exhibitors may not canvas, solicit, or distribute literature or other promotional items outside of their booth space.

Balloons

Helium-filled balloons are not allowed in the convention center.

Staffing the booth

Exhibitor is required to have the exhibit space manned during all show hours.